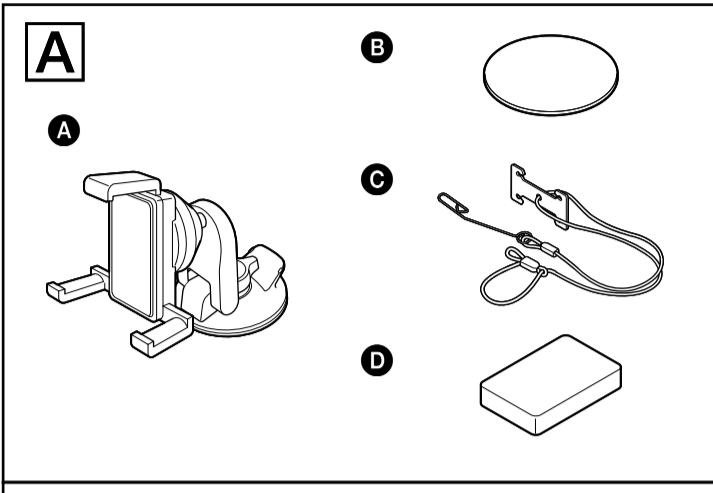


Smartphone Car Holder

Operating Instructions
Instrukcja obsługi
Návod k obsluze
Οδηγίες λειτουργίας
Manuel de instructions
Geräteanweisungen
تعليمات التشغيل

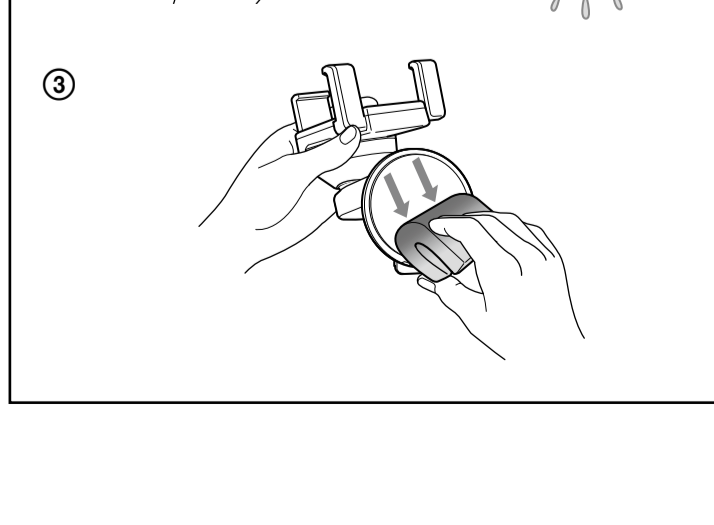
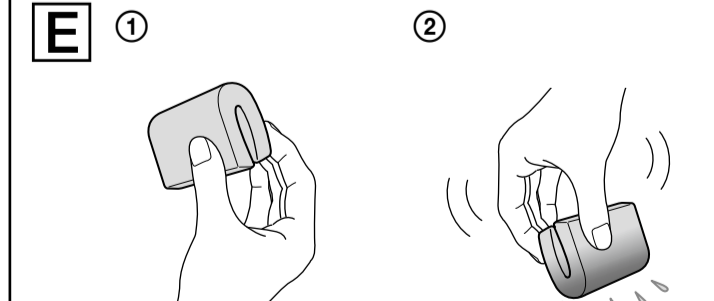
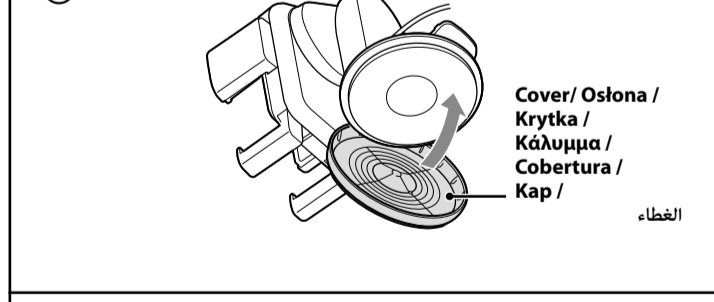
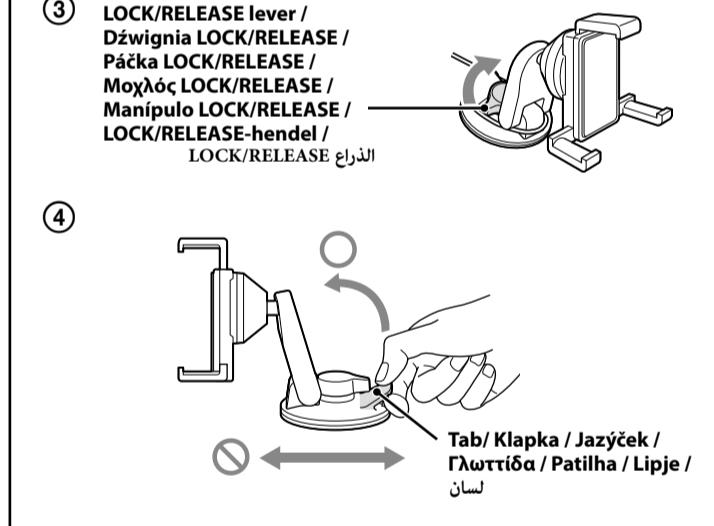
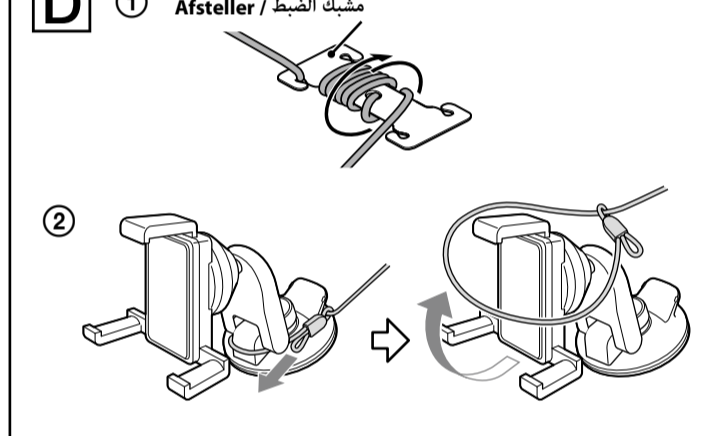
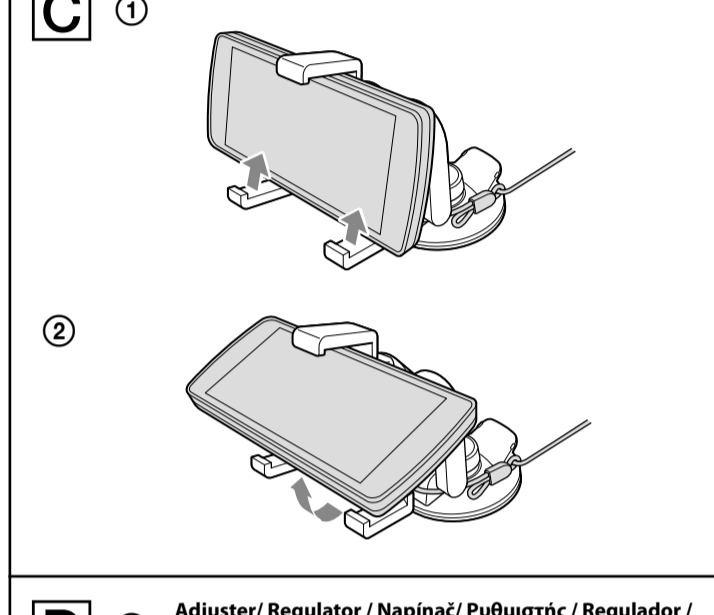
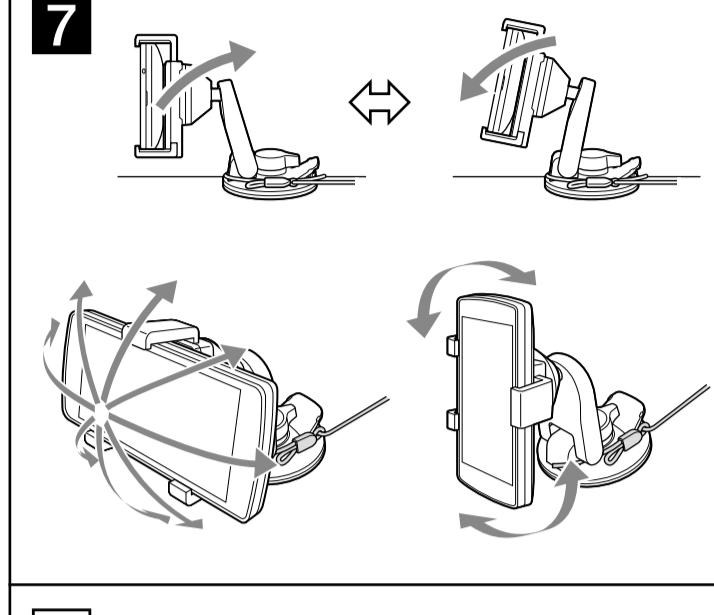
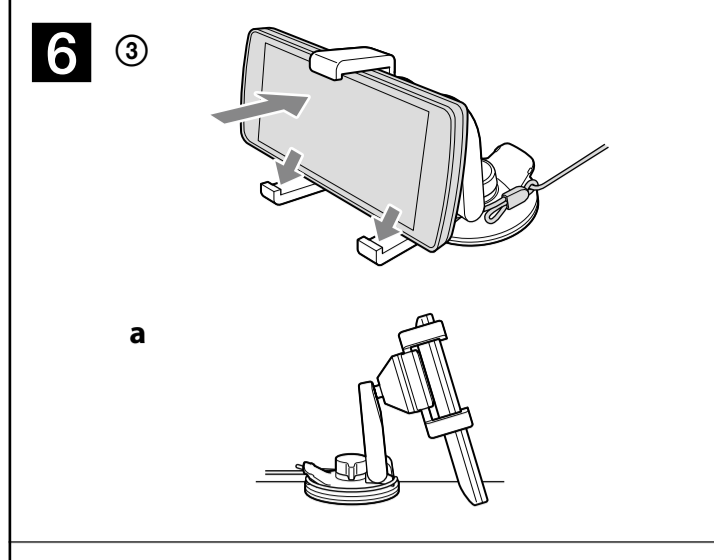
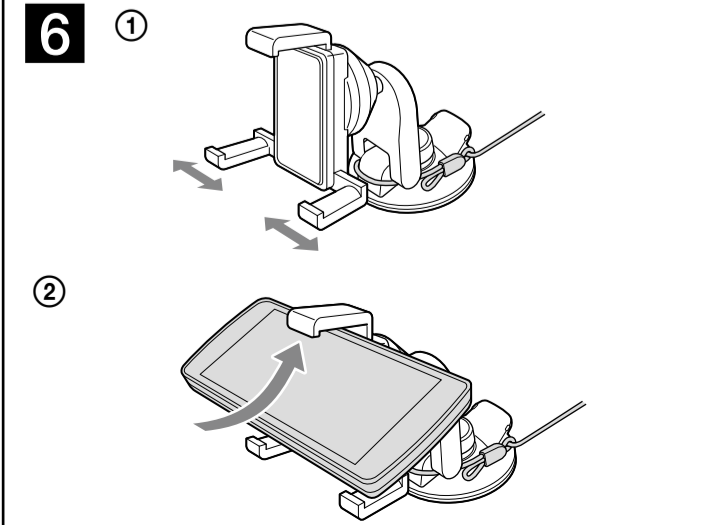
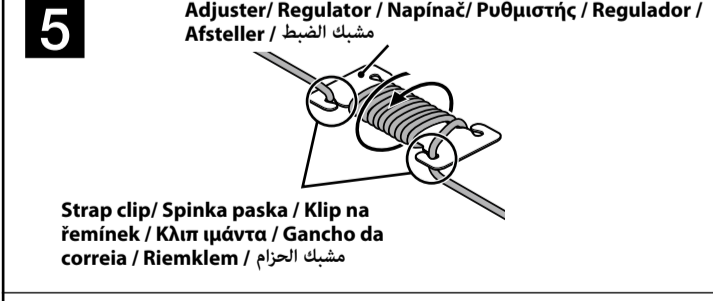
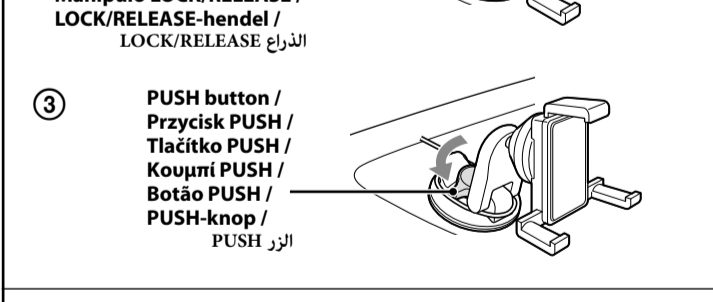
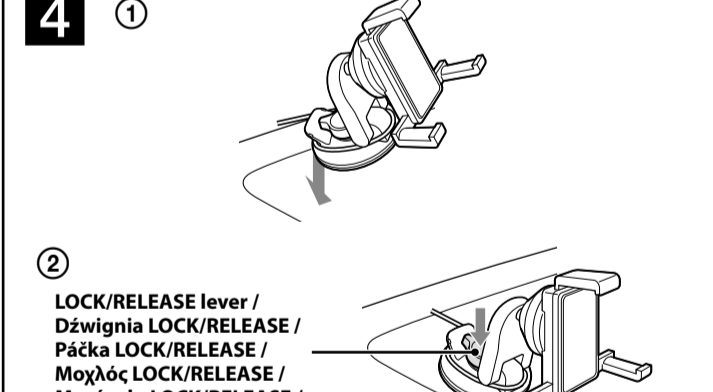
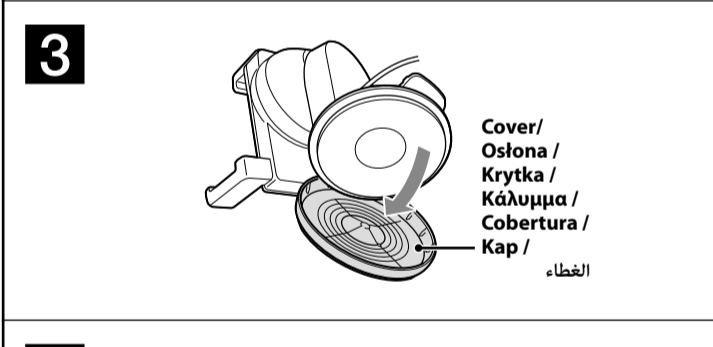
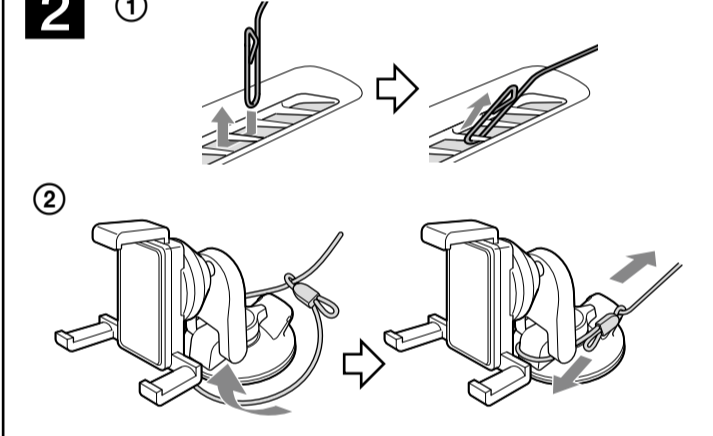
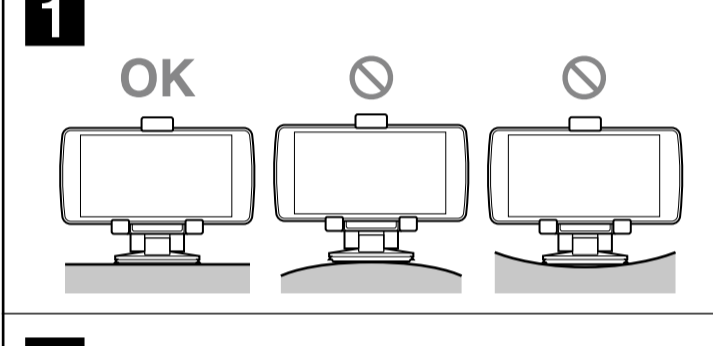
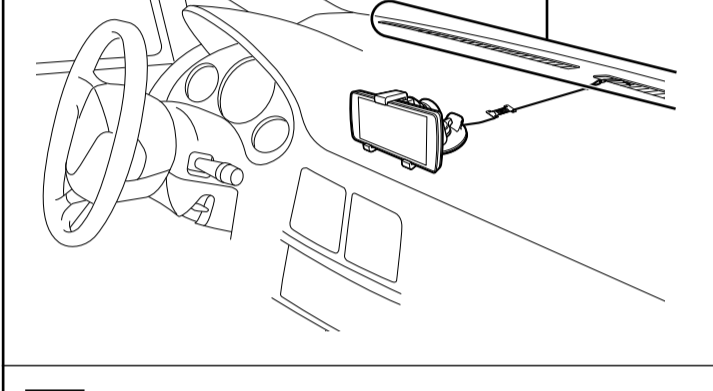
©2013 Sony Mobile Communications AB.
Printed in China
<http://www.sonymobile.com>

SPA-CK20M



Installation example / Przykładowa instalacja / Příklad montáže / Παράδειγμα εγκατάστασης / Exemplo de instalação / Installatievoorbeeld / مثال عن التركيب

Defroster / Otvory nawiewu szyby przedniej / Odmrazani / Απαγωγή παμπρικής / Desembaciador / Otvorci / مزيل العباب



English
Notice for the customers in the countries applying EU Directives
This product has been manufactured by or on behalf of Sony Corporation, 1-7-1 Konan Minato-ku Tokyo, 108-0075 Japan. Inquiries related to product compliance based on European Union legislation shall be addressed to the authorized representative, Sony Deutschland GmbH, Hedelfinger Strasse 61, 70372 Stuttgart, Germany. For any service or guarantee matters, please refer to the addresses provided in the separate service or guarantee documents.

Precautions

- A driver is obligated to follow road traffic laws. Violation of road safety rules, such as neglecting "proceed with caution," etc., is illegal, and it may result in an accident or injury.
- Do not operate your smartphone while driving.
- Do not glance at the screen of your smartphone while driving. Glancing at a screen of navigation system is restricted by the law.
- Listen to sound at a volume which allows you to hear outside sound.
- When voice guidance is heard, do not perform sudden driving maneuvers.
- During the navigation guidance, drive in accordance with actual traffic regulations, such as one-way traffic.

- Install the unit securely using the supplied accessory parts. Use of other than the supplied parts may damage this unit or cause parts to become loose. It may result in injury.
- Do not install the unit in a place exposed to rain or water, or in a location subject to high humidity or dust. Installing the unit in a location described above may cause a malfunction.
- Do not disassemble or modify. Doing so may result in an accident.
- Do not leave the smartphone attached to this unit in your car. Leaving a smartphone in a location subject to direct sun light, such as on a dashboard, or in a hot or humid place, such as in a car, may result in battery bursting/leakage, which could cause injury.
- Do not install the unit in locations which might hinder driving operations. Doing so may cause an accident. Observe the following.
 - Do not place cords around parts such as screws, etc., or moving parts such as seat rails.
 - Make sure that the steering wheel, shift lever, brake pedals, etc., can be operated properly.
- Do not install the unit in locations which might hinder forward vision in compliance with local regulations. Hindering forward vision may result in an accident or injury.
- Do not install the unit in a place which might compromise air bag function. Installing the unit in such a place may cause injury.
- Do not use the headphone while driving. Doing so may cause an accident or injury.
- Do not drop water or a foreign object inside the smartphone. Doing so may cause a malfunction.
- Attach the smartphone securely on this unit. If you do not attach the smartphone securely on this unit, the smartphone may fall down and it may result in an accident, or injury. Make sure it is attached securely after follow.

- Install this unit on a dashboard securely. Make sure to attach the instructions on this manual about dealing with the suction cup. If you fail to do so, this unit may fall down from a dashboard and it may result in an accident, or injury.
- Keep this unit out of the reach of children. Swallowing a small part or dropping it may result in an accident or serious injury.
- Do not leave this unit on a dashboard. Leaving it installed on a dashboard may deform the dashboard.
- If the unit becomes detached and falls while driving, a traffic accident or injury may occur. To prevent this, be sure to use the supplied strap.
- Install this unit on a dashboard properly so that the unit will not interfere with normal driving.
- Follow the instructions on this manual about dealing with the suction cup to secure this unit on a dashboard. If you fail to do so, the adhesive strength of the suction cup may decrease and this unit may fall down.
- If this unit becomes detached, a traffic accident may result. To prevent this, use the supplied strap.
- Remove this unit from the dashboard and keep it out of direct sunlight after use. Leaving it on a dashboard or in a car where it will be exposed to high temperature may cause malfunction, and it may also damage the dashboard.
- Be careful not to splash water on this unit. It may cause a malfunction.
- To disconnect the cord, pull it out by its connector, not the cord.

- Do not drop water or a foreign object inside the smartphone. Doing so may cause a malfunction.
- Attach the smartphone securely on this unit. If you do not attach the smartphone securely on this unit, the smartphone may fall down and it may result in an accident, or injury. Make sure it is attached securely after follow.
- Install this unit on a dashboard securely. Make sure to attach the instructions on this manual about dealing with the suction cup. If you fail to do so, this unit may fall down from a dashboard and it may result in an accident, or injury.
- Keep this unit out of the reach of children. Swallowing a small part or dropping it may result in an accident or serious injury.
- Do not leave this unit on a dashboard. Leaving it installed on a dashboard may deform the dashboard.
- If the unit becomes detached and falls while driving, a traffic accident or injury may occur. To prevent this, be sure to use the supplied strap.
- Install this unit on a dashboard properly so that the unit will not interfere with normal driving.
- Follow the instructions on this manual about dealing with the suction cup to secure this unit on a dashboard. If you fail to do so, the adhesive strength of the suction cup may decrease and this unit may fall down.
- If this unit becomes detached, a traffic accident may result. To prevent this, use the supplied strap.
- Remove this unit from the dashboard and keep it out of direct sunlight after use. Leaving it on a dashboard or in a car where it will be exposed to high temperature may cause malfunction, and it may also damage the dashboard.
- Be careful not to splash water on this unit. It may cause a malfunction.
- To disconnect the cord, pull it out by its connector, not the cord.

Parts List (See fig. [A])

- ① Smartphone car holder
- ② Mounting sheet
- ③ Strap
- ④ Cleaning sponge for suction cup
- ⑤ Operating Instructions (this document)

Design and specifications are subject to change without notice.

Installation (See fig. [1 - 7])

Important notice (See fig. [B])

Install this unit on a dashboard properly, so as not to conflict with road traffic rules, associated regulations and provisions. Particularly, make sure that this unit and the smartphone installed do not disturb your front view, driving operations and air bag function.

1 Before Installation

Mount this unit on an area of the dashboard which is smooth and horizontal.

Check the material and condition of the dashboard where you intend to install this unit.

See "To attach the mounting sheet", and confirm whether to use the supplied mounting sheet.

To attach the mounting sheet (fig. [A]-①)

The suction cup may not stick to the dashboard securely, depending on the surface material of the dashboard. In this case, attach the mounting sheet on the dashboard and install this unit on it.

In the case of the following dashboards, use the mounting sheet.

If not using the mounting sheet, the suction cup may not stick to the dashboard securely, and may damage or deform the dashboard.

- Soft material, easily deformed with a finger, etc.
- Rough, grain finish

Notes on use of the mounting sheet

- Choose the mounting location carefully. Practice installation before you actually mount the sheet. If necessary, it may be difficult to fix the mounting sheet from the dashboard at the adhesive strength of the mounting sheet is strong. **If you remove the mounting sheet forcibly, the dashboard may be deformed or damaged.**
- Allow 24 hours after sticking the mounting sheet on the dashboard before installing this unit on it.
- Removing the mounting sheet from the dashboard decreases the adhesive strength of the mounting sheet. It should not be reused after removal.

2 Attach the strap (fig. [A]-②).

Important notice

If this unit becomes detached, a traffic accident may result. To prevent this, use the supplied strap.

- ① Mount the clip of the strap on the defroster of your car.
- ② See "Installation example" (fig. [B]) about the mounting location.
- ③ Place the hoop of the strap over this unit and attach the strap as shown in the fig. [2]-②.

3 Remove the cover from the suction cup gently.

Notes.

- After you attach the strap to this unit, pull the strap gently to make sure that the strap is securely attached to this unit.
- Do not forcefully pull this unit after attaching the strap. Doing so may damage your car.

4 Install this unit on the dashboard.

Important notice

Make sure that the surface of the dashboard where you intend to install this unit is clean. Dirty surfaces will make the adhesive strength of the suction cup weak, and may cause unstable installation of this unit.

The suction cup may leave a mark on the dashboard, depending on the surface material.

- ① Put one edge of the suction cup on the dashboard, and then press down the suction cup gradually, expelling the air from under the suction cup.
- ② Press the PUSH button hard to attach this unit on the dashboard securely.
- ③ Turn the LOCK/RELEASE lever counterclockwise 90 degrees to secure this unit on the dashboard.

After installation, pull this unit lightly to confirm that the suction cup is attached to the dashboard securely.

Note

- If you apply the entire suction cup to the dashboard at one time, the suction cup may capture air under itself, and the adhesive strength of the suction cup will be weakened.

Tip

- The suction cup may contain tiny holes. This can occasionally occur in the production process, and should not cause a malfunction.

5 Adjust the strap.

Adjust the strap length by using the adjuster to take up any slack.

Attach the strap to the strap-clip.

6 Attach the strap-clip.

- ① Slide the lower side of the holder of this unit left and right, to avoid it touching buttons etc. on the side of the smartphone.
- ② Hold the holder of this unit with your hand. Place the side of the smartphone into the upper side of the holder and push up the upper side of the holder.
- ③ When the upper side of the holder of this unit gets high enough to attach the smartphone, press the back of the smartphone to the holder. The smartphone is pressed between the upper side and lower side of the holder.

After installation, make sure that the smartphone is secured and set the smartphone in this unit securely.

Notes

- If the smartphone is not set in this unit securely, the smartphone may come off this unit, and cause a traffic accident and injury.
- Depending on the model of the smartphone to attach, the smartphone may not be operated properly because of interference with parts, such as the holder and the lateral buttons of the smartphone. In this case, uninstall the smartphone from this unit, and disassemble it.
- When setting the smartphone vertically, attach the smartphone so its bottom touches the dashboard. (fig. [B]-a)
- When setting the smartphone horizontally, attach the smartphone so its bottom touches the dashboard. (fig. [B]-a)

7 Adjust the angle of this unit.

You can adjust the angle of this unit as shown in the figure [7]. Do not use force to adjust the angle, as a malfunction or breakage may result.

To remove the smartphone from this unit (See fig. [C])

- ① Use your hands to hold the smartphone and the holder of this unit. Lift the smartphone upward, and push up the upper side of the holder.
- ② When the upper side of the holder of this unit gets high enough to remove the smartphone, lift the lower side of the smartphone to remove it from the lower side of the holder.

Important notice

Remove this unit from the dash board after use. Leaving it on a dashboard may cause damage to the dashboard.

Remove the smartphone and take the hoop of the strap off this unit before removing this unit.

- ① Loosen the strap with the adjuster.
- ② Take the hoop of the strap off this unit.
- ③ Turn the LOCK/RELEASE lever clockwise 90 degrees to unlock.
- ④ Follow the steps below to remove the suction cup as the adhesive strength of the suction cup is strong.

Remove the suction cup slowly.

Remove the suction cup slowly (over 3 to 5 seconds) after it begins to come off.

Note

- If this unit by its tab when you remove the suction cup from the dashboard.
- Doing any of the following may damage the suction cup:
 - pressing/pulling this unit by its tab in a horizontal direction (⊖)
 - inserting a hard object (key, blade, finger, etc.) between the suction cup and the dashboard.

Parts List (See fig. [A])

- ① Smartphone car holder
- ② Mounting sheet
- ③ Strap
- ④ Cleaning sponge for suction cup
- ⑤ Operating Instructions (this document)

Design and specifications are subject to change without notice.

Installation (See fig. [1 - 7])

Important notice (See fig. [B])

Install this unit on a dashboard properly, so as not to conflict with road traffic rules, associated regulations and provisions. Particularly, make sure that this unit and the smartphone installed do not disturb your front view, driving operations and air bag function.

1 Before Installation

Mount this unit on an area of the dashboard which is smooth and horizontal.

Check the material and condition of the dashboard where you intend to install this unit.

See "To attach the mounting sheet", and confirm whether to use the supplied mounting sheet.

To attach the mounting sheet (fig. [A]-①)

The suction cup may not stick to the dashboard securely, depending on the surface material of the dashboard. In this case, attach the mounting sheet on the dashboard and install this unit on it.

In the case of the following dashboards, use the mounting sheet.

If not using the mounting sheet, the suction cup may not stick to the dashboard securely, and may damage or deform the dashboard.

- Soft material, easily deformed with a finger, etc.
- Rough, grain finish

Notes on use of the mounting sheet

- Choose the mounting location carefully. Practice installation before you actually mount the sheet. If necessary, it may be difficult to fix the mounting sheet from the dashboard at the adhesive strength of the mounting sheet is strong. **If you remove the mounting sheet forcibly, the dashboard may be deformed or damaged.**
- Allow 24 hours after sticking the mounting sheet on the dashboard before installing this unit on it.
- Removing the mounting sheet from the dashboard decreases the adhesive strength of the mounting sheet. It should not be reused after removal.

2 Attach the strap (fig. [A]-②).

Important notice

If this unit becomes detached, a traffic accident may result. To prevent this, use the supplied strap.

- ① Mount the clip of the strap on the defroster of your car.
- ② See "Installation example" (fig. [B]) about the mounting location.
- ③ Place the hoop of the strap over this unit and attach the strap as shown in the fig. [2]-②.

3 Remove the cover from the suction cup gently.

Notes.

- After you attach the strap to this unit, pull the strap gently to make sure that the strap is securely attached to this unit.
- Do not forcefully pull this unit after attaching the strap. Doing so may damage your car.

4 Install this unit on the dashboard.

Important notice

Make sure that the surface of the dashboard where you intend to install this unit is clean. Dirty surfaces will make the adhesive strength of the suction cup weak, and may cause unstable installation of this unit.

The suction cup may leave a mark on the dashboard, depending on the surface material.

- ① Put one edge of the suction cup on the dashboard, and then press down the suction cup gradually, expelling the air from under the suction cup.
- ② Press the PUSH button hard to attach this unit on the dashboard securely.
- ③ Turn the LOCK/RELEASE lever counterclockwise 90 degrees to secure this unit on the dashboard.

– Korzystać ze wskazówek nawigacji. Należy prowadzić pojazd zgodnie z obowiązującymi przepisami ruchu drogowego, np. na ulicach jednokierunkowych itp.

- Zamontować uchwyt w bezpiecznym miejscu za pomocą załączonych akcesoriów. Uchyty innych niż oryginalnie zamontowane części może spowodować uszkodzenie uchwytu lub obniżenie siły przyczepności.
- Nie montować uchwytu w miejscach naruszonych na deszcz lub wodę ani w miejscach bardzo wilgotnych lub zapylonych. Zamontowanie uchwytu w wymienionych wyżej miejscach może doprowadzić do jego usterek.
- Nie demontować ani nie modyfikować. Może to doprowadzić do wypadku.
- Nie pozostawiać w samochodzie smartfona podłączonego do uchwytu. Pozostawienie smartfona w miejscu narazonym na bezpośrednie światło słoneczne, na przykład na desce rozdzielczej, albo w gorącym lub wilgotnym miejscu, na przykład w samochodzie, może spowodować wybuch lub przegrzanie baterii i doprowadzić do odniesienia obrażeń.
- Nie montować urządzenia w miejscu, w którym zastłaniałyby drogę. Mogłoby to doprowadzić do wypadku. Przestrzegaj następujących zasad:
 - Nie umieszczaj przewodów wokół srub lub podobnych części ani wokół elementów ruchomych, takich jak szyi siedzeń.
 - Upewnij się, że motora normalnie używasz kierownicy, dźwigni zmiany biegów, pedału hamulca itd.
- Nie montować urządzenia w miejscu, w którym mogłoby utrudniać widoczność kierownicy, zgodnie z miejscowymi przepisami. Gorsza widoczność do przodu może doprowadzić do wypadku lub odniesienia obrażeń.
- Nie montować urządzenia w miejscu, w którym mogłoby przeszkadzać w przypadku otwarcia się podłokietników powietrznych. Zamontowanie urządzenia w takim miejscu może doprowadzić do odniesienia obrażeń.
- Nie używaj słuchawek podczas prowadzenia pojazdu. Mogłoby to doprowadzić do wypadku lub odniesienia obrażeń.
- Nie dopuszczaj, by do wnętrza smartfona dostała się woda lub ciałka obce. Mogłoby to spowodować usterek.
- Podłączaj smartfona do uchwytu w prawidłowy sposób. Jeśli smartfon nie zostanie podłączony prawidłowo, może spaść i spowodować wypadek lub odniesienie obrażeń. Po podłączeniu należy sprawdzić, czy smartfon jest dobrze przyczołkowany.
- Zamontować uchwyt na desce rozdzielczej tak, by dobrze się trzymał. Postępowanie zgodnie z zawartymi w niniejszej instrukcji obsługi instrukcjami dotyczącymi uchyty przysysawki. W przeciwnym razie uchwyt może spaść i spowodować wypadek lub odniesienie obrażeń.
- Uchwyt powinien znajdować się poza zasięgiem małych dzieci. Połączenie małego elementu lub zerwanie uchwytu może spowodować wypadek lub odniesienie obrażeń.
- Nie pozostawiaj uchwytu na desce rozdzielczej. Pozostawienie uchwytu zamontowanego na desce rozdzielczej może spowodować uszkodzenie się deski rozdzielczej.
- Jeśli uchwyt odcepi się i spadnie podczas jazdy, może dojść do wypadku lub odniesienia obrażeń. Aby tego nie dopuścić, należy obowiązkowo zastosować załączony pasek.
- Zamontować uchwyt na desce rozdzielczej w taki sposób, by uchwyt nie utrudniał prowadzenia pojazdu.
- Podczas montażu uchwytu na desce rozdzielczej należy przestrzegać zawartych w niniejszej instrukcji obsługi instrukcji dotyczących uchyty przysysawki.
- Uchyty silny podczas wyjmowania smartfona może spowodować uszkodzenie uchwytu i smartfona. W celu wyjęcia smartfona należy kolejno wykonać odwrotnie: czynności.

5 Wyregulować pasek.

Wyregulować pasek za pomocą regulatora do usuwania luzu.

Przymocować pasek do spinki paska.

6 Włożyć smartfon.

- ① Przesunąć dolną część uchwytu w lewo i w prawo, tak by nie dotykała przycisków obok smartfona.
- ② Trzymać uchwyt ręką. Umieścić bok smartfona w górnej części uchwytu i podnieść górną część uchwytu do góry.
- ③ Kiedy górna część uchwytu zostanie podniesiona wystarczająco wysoko, aby włożyć smartfona, wsunąć tył smartfona do uchwytu. Smartfon zostanie wsunięty między górną a dolną część uchwytu.

Po podłączeniu upewnij się, że smartfon jest prawidłowo zamocowany i ustawisz smartfona w uchwycie.

Uwagi

- Jeśli smartfon nie zostanie prawidłowo ustawiony w uchwycie, może wysunąć się z uchwytu, w wyniku czego może dojść do wypadku lub odniesienia obrażeń.
- W zależności od podłączonego modelu smartfona może nie działać prawidłowo z powodu zaobudowania na siatce elementów, na przykład uchwytu i bocznych przycisków smartfona. W takim przypadku należy wyjąć smartfona i nie używać go.
- W przypadku pionowego ustawienia smartfona należy wyjąć go tak, by jego dolna część dotykała deski rozdzielczej (rys. [B]-a).

7 Wyregulować kąt uchwytu.

Kąt uchwytu można wyregulować, jak w rys. [7]. Nie używać siły podczas regulacji kąta, ponieważ grozi to uszkodzeniem urządzenia.

Wyjmowanie smartfona z uchwytu (patrz rys. [C])

- ① Przytrzymać rękoma smartfona i uchwyt. Podnieść smartfona do góry i podnieść górną część uchwytu do góry.
- ② Kiedy górna część uchwytu zostanie podniesiona wystarczająco wysoko, aby wyjąć smartfona, podnieść dolną część smartfona i wyjąć go z dolnej części uchwytu.

Uwagi

- Aby nie dopuścić do upuszczenia smartfona, podczas wyjmowania smartfona należy trzymać ręką uchwyt i smartfon.
- Uchyty silny podczas wyjmowania smartfona może spowodować uszkodzenie uchwytu i smartfona. W celu wyjęcia smartfona należy kolejno wykonać odwrotnie: czynności.

Zejście uchwytu (patrz rys. [D])

Ważna informacja

Do zakończenia użytkowania uchwytu należy zdjąć z deski rozdzielczej. Pozostawienie go na desce rozdzielczej może spowodować uszkodzenie deski rozdzielczej.

Przed odłączeniem uchwytu należy wyjąć z uchwytu smartfona i zdjąć pełną paskę.

- ① Poluzować pasek za pomocą regulatora.
- ② Zdjąć pełną paskę z uchwytu.
- ③ Obrócić dźwignię LOCK/RELEASE zgodnie z ruchem wskazówek zegara o 90 stopni, aby zwolnić blokady.
- ④ Wykonaj, ponownie czynności, aby zdjąć przysysawkę, ponieważ siła przyczepności przysysawki jest bardzo duża.

Pociągnąć klapy uchwytu przez kilka sekund w kierunku wskazówek przysysawki z oznaczeniem O.

- Podczas zdejmowania przysysawki z deski rozdzielczej uchwyt należy ciągnąć w kierunku O.
- Poniszce czynności mogą spowodować uszkodzenie przysysawki:
 - dociskanie/pociąganie uchwytu za klapy w kierunku poziomym (⊖)
 - wkładanie twardego przedmiotu (klucze, ostrych, palca itp.) między przysysawkę a deskę rozdzielczą.

Zdejmuwanie przysysawki powoli.

Kiedy przysysawka zacznie odchodzić, należy zdejmować ją powoli (co najmniej 3 do 5 sekund).

Uwaga

Zakończony przysysawki na silny, ciągnąc uchwyt na silny w kierunku poziomym, gdy jest wciąż przyklejony do deski rozdzielczej lub gdy przysysawka nie została całkowicie odłączona od deski rozdzielczej, może spowodować uszkodzenie przysysawki.

- ⑤ Zakończyć osłonę na przysysawce.

Uchwyt należy zamontować na desce rozdzielczej tak, by jego użytkowanie było zgodne z przepisami kodeksu drogowego oraz innymi obowiązującymi przepisami.

Należy przede wszystkim zwrócić uwagę, by uchwyt oraz smartfon nie ograniczały widoczności przedniej, nie utrudniały prowadzenia pojazdu ani otworzenia się poduszki powietrznej.

1 Przed montażem

Do montażu uchwytu należy wybrać gładkie i poziome miejsce na desce rozdzielczej.

Sprawdź materiał i stan deski rozdzielczej w miejscu, w którym uchwyt ma zostać zamontowany.

Upewnij się, czy będzie końcowe użycie załączony podkładki montażowej, należy zapoznać się z częścią „Przyklejanie podkładki montażowej”.

Przyklejanie podkładki montażowej (rys. [A]-①)

W zależności od materiału, z jakiego wykonana jest deska rozdzielcza, przysysawka może nie przykleić się dobrze do deski rozdzielczej i spowodować uszkodzenie lub odkształcenie się deski rozdzielczej.

- Miękki materiał, łatwo odkształcający się przy dotyku.
- Ciężki materiał, zniarmie wykończenie

Zalecenia dotyczące użycia podkładki montażowej

- Należy uważnie czytać instrukcje montażu. W razie potrzeby przed faktycznym przyklejeniem podkładki montażowej należy przeczyszczyć powierzchnię. Odklejenie podkładki montażowej od deski rozdzielczej może być trudne, ponieważ przyczepność podkładki montażowej jest bardzo duża. **Odklejenie podkładki montażowej na silną siłę może spowodować uszkodzenie lub odkształcenie się deski rozdzielczej.**
- Przyklejeniu podkładki montażowej do deski rozdzielczej należy odczekać 24 godziny przed zamontowaniem na niej uchwytu.
- Zdejście podkładki montażowej z deski rozdzielczej zmniejsza przyczepność podkładki montażowej. Po odłączeniu podkładki nie powinna być użytkowana ponownie.

2 Przymocować pasek (rys. [A]-②).

Ważna informacja

W przypadku odłączenia się uchwytu może dojść do wypadku. Aby do tego nie dopuścić, należy użyć załączanego paska.

- ① Zamocować spinkę paska na otworach nakładki szyby przedniej.
- ② Informacje o miejscu montażu - patrz „Przykładowa instalacja” (rys. [B]).
- ③ Umieścić pełną paskę nad uchwytym i przyczepić pasek jak na rys. [2]-②.

3 Usunąć pokrywę z uchwytu delikatnie pociągając ją, aby upewnić się, że jest dobrze przyczołkowany do uchwytu.

- Po przyczołkowaniu paska nie ciągnąć uchwytu zbyt mocno. Mogłoby to spowodować uszkodzenie samochodu.

4 Delikatnie zdjąć osłonę z przysysawki.

Uwagi

- Zdejście osłony przysysawki może być trudne, ponieważ przyczepność podkładki montażowej jest bardzo duża.
- Osłonę należy zabrać na przysysawkę po każdym zdjęciu uchwytu z deski rozdzielczej. Zabrudzenie lub zarysowanie przysysawki zmniejszy jej przyczepność.

5 Zamontować uchwyt na desce rozdzielczej.

Ważna informacja

Uważnij się, że powierzchnia na desce rozdzielczej w miejscu, w którym uchwyt ma zostać zamontowany, jest czysta. Zabrudzenia powierzchni zmniejszy przyczepność przysysawki i może uniemożliwić stabilne przyczołkowanie uchwytu.

Przysysawka może zostawić znak na desce rozdzielczej, w zależności od materiału, z jakiego wykonana jest deska rozdzielcza.

- ① Umieścić jedną krawędź przysysawki na desce rozdzielczej i przykładać do deski przysysawkę, usuwając spód niej powietrze.
- ② Naciśnąć przycisk PUSH, aby mocno przyczołkować uchwyt do deski rozdzielczej.
- ③ Obrócić dźwignię LOCK/RELEASE odwrotnie do ruchu wskazówek zegara o 90 stopni, aby przyczołkować uchwyt do deski rozdzielczej.
- ④ Po podłączeniu delikatnie pociągnąć uchwyt, aby sprawdzić, czy przysysawka jest dobrze przyklejona do deski rozdzielczej.

W przypadku przyklejania całej przysysawki naraz, w przysysawce może pozostać powietrze, przez co przyczepność przysysawki zostanie obniżona.

Wskazówka

W przysysawce mogą być obecne niewielkie otwory. Może się to czuć przy dotyku w procesie produkcji i nie powinno wpływać na działanie przysysawki.

5 Wyregulować pasek.

Wyregulować pasek za pomocą regulatora do usuwania luzu.

Przymocować pasek do spinki paska.

6 Włożyć smartfon.

- ① Przesunąć dolną część uchwytu w lewo i w prawo, tak by nie dotykała przycisków obok smartfona.
- ② Trzymać uchwyt ręką. Umieścić bok smartfona w górnej części uchwytu i podnieść górną część uchwytu do góry.
- ③ Kiedy górna część uchwytu zostanie podniesiona wystarczająco wysoko, aby włożyć smartfona, wsunąć tył smartfona do uchwytu. Smartfon zostanie wsunięty między górną a dolną część uchwytu.

Po podłączeniu upewnij się, że smartfon jest prawidłowo zamocowany i ustawisz smartfona w uchwycie.

Uwagi

- Jeśli smartfon nie zostanie prawidłowo ustawiony w uchwycie, może wysunąć się z uchwytu, w wyniku czego może dojść do wypadku lub odniesienia obrażeń.
- W zależności od podłączonego modelu smartfona może nie działać prawidłowo z powodu zaobudowania na siatce elementów, na przykład uchwytu i bocznych przycisków smartfona. W takim przypadku należy wyjąć smartfona i nie używać go.
- W przypadku pionowego ustawienia smartfona należy wyjąć go tak, by jego dolna część dotykała deski rozdzielczej (rys. [B]-a).

7 Wyregulować kąt uchwytu.

Kąt uchwytu można wyregulować, jak w rys. [7]. Nie używać siły podczas regulacji kąta, ponieważ grozi to uszkodzeniem urządzenia.

Wyjmowanie smartfona z uchwytu (patrz rys. [C])

- ① Przytrzymać rękoma smartfona i uchwyt. Podnieść smartfona do góry i podnieść górną część uchwytu do góry.
- ② Kiedy górna część uchwytu zostanie podniesiona wystarczająco wysoko, aby wyjąć smartfona, podnieść dolną część smartfona i wyjąć go z dolnej części uchwytu.

Uwagi

- Aby nie dopuścić do upuszczenia smartfona, podczas wyjmowania smartfona należy trzymać ręką uchwyt i smartfon.
- Uchyty silny podczas wyjmowania smartfona może spowodować uszkodzenie uchwytu i smartfona. W celu wyjęcia smartfona należy kolejno wykonać odwrotnie: czynności.

Zejście uchwytu (patrz rys. [D])

Ważna informacja

Do zakończenia użytkowania uchwytu należy zdjąć z deski rozdzielczej. Pozostawienie go na desce rozdzielczej może spowodować uszkodzenie deski rozdzielczej.

Przed odłączeniem uchwytu należy wyjąć z uchwytu smartfona i zdjąć pełną paskę.

- ① Poluzować pasek za pomocą regulatora.
- ② Zdjąć pełną paskę z uchwytu.
- ③ Obrócić dźwignię LOCK/RELEASE zgodnie z ruchem wskazówek zegara o 90 stopni, aby zwolnić blokady.
- ④ Wykonaj, ponownie czynności, aby zdjąć przysysawkę, ponieważ siła przyczepności przysysawki jest bardzo duża.

Pociągnąć klapy uchwytu przez kilka sekund w kierunku wskazówek przysysawki z oznaczeniem O.

- Podczas zdejmowania przysysawki z deski rozdzielczej uchwyt należy ciągnąć w kierunku O.
- Poniszce czynności mogą spowodować uszkodzenie przysysawki:
 - dociskanie/pociąganie uchwytu za klapy w kierunku poziomym (⊖)
 - wkładanie twardego przedmiotu (klucze, ostrych, palca itp.) między przysysawkę a deskę rozdzielczą.

Zdejmuwanie przysysawki powoli.

K

